

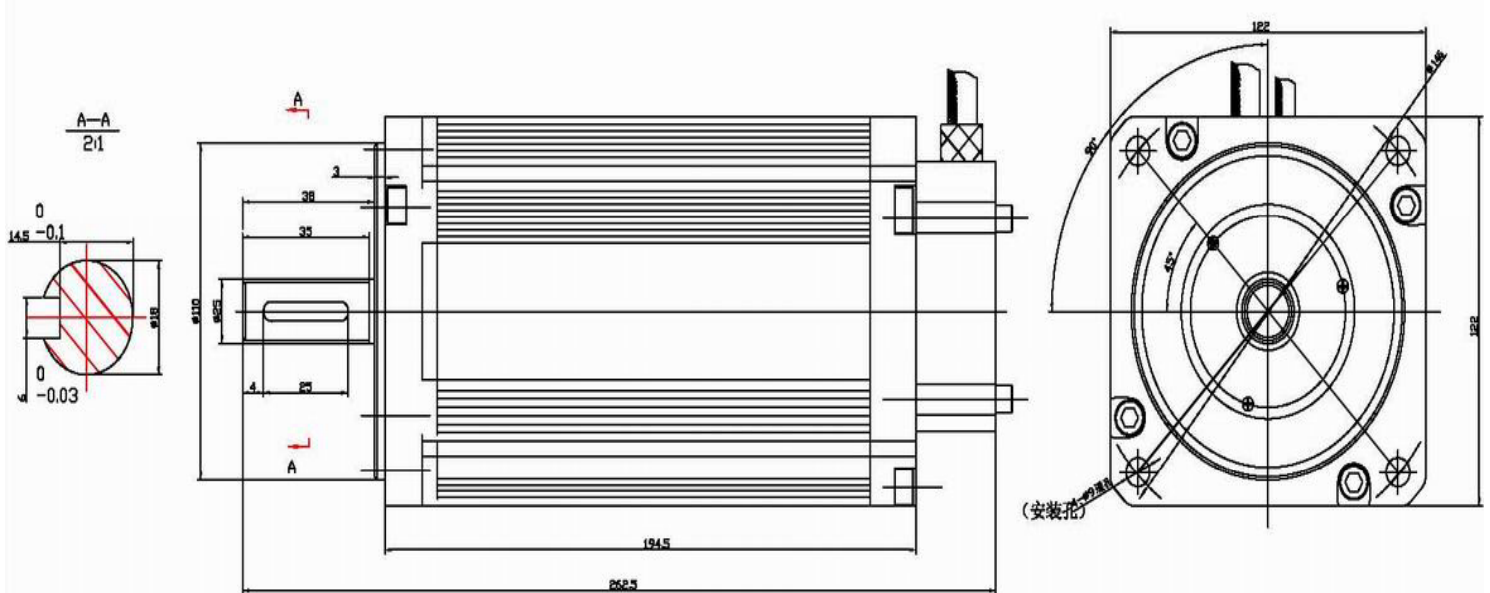
**BY122BL DC brushless motor**  
 size: 122mm power: 1000W-2200W

- Long Life and Highly Reliable
- Compact Size with High Power Density
- Size:122mm diameter
- Singleshaft or double shaft
- Three phase and 8 poles
- cw & ccw
- Speen cotrol
- Hall servo
- Different winding and mechanical modification



**BY122BL**

## Dimensions



## Specification

Model	Rated Voltage (V)	Rated Speed (RPM)	No Load Speed (RPM)	Rated Current (A)	No Load Current (A)	Rated Torque (N.M)	Winding Type	Power (watts)	Weight (g)
BY122BL220-1500	220VAC	3500	4000	8.5		4.2	Y	1500	8800
BY122BL110-2200	110VAC	3500	4000	25		6.2	Y	2200	10500
BY122BL48-1500	48VDC	3500	4200	36	4.5	4.2	Y	1500	9000
BY122BL160-1500	160VDC	3500	4000	11	1.35	4.2	Y	1500	9000
BY122BL320-1500	320VDC	3500	4000	6	1.35	4.2	Y	1500	9000
BY122BL48-2200	48VDC	3500	4000	58	5	6.2	Y	2200	10500

**BY122BL DC brushless motor**  
**size: 122mm power: 1000W-2200W**

~Control with PWM, there are two signals:digital and simulant

~The driver is controlled in closed loop, stable speed. Fluctuate rate of the speed is less then 1% from 0 to rated load

~Stepless timing, the timing is flexible. The button can be chosen

~To all the power supply of the world, 230V and 110V single-phase canbe chosen

Respond quikly, accurate control

~Cold boot smoothly.

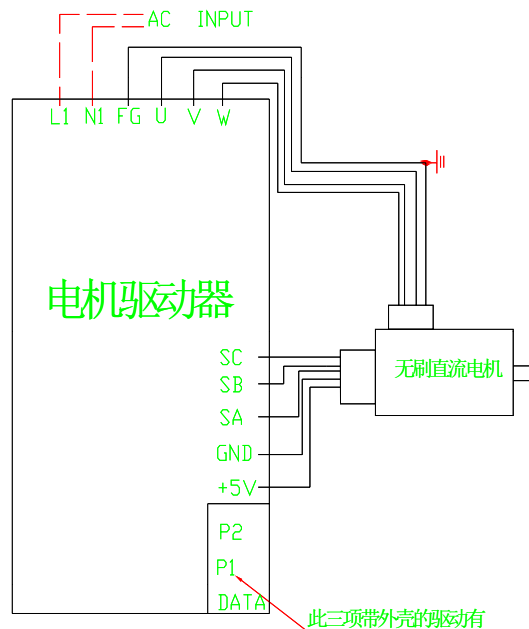
~Large range of speed, can reach to 30:1

~Complete protction: from less tension, from excessive tension,from current, from over loading

~Memory function for malfunction in the middle of working,can be continue after reset.

~The light and currenry are seperated when input and output.good at anti-jamming. Can be work in all kinds of complicated environment.

~Easy to switch between anode and cathode



Power Input	Motor Input				HALL				
L1, N1	U	V	W	FG	SA	SB	SC	+5V	GND
交流单相	Blue	Plam	Red	olivine	Yellow	Blue	Plam	Red	Black